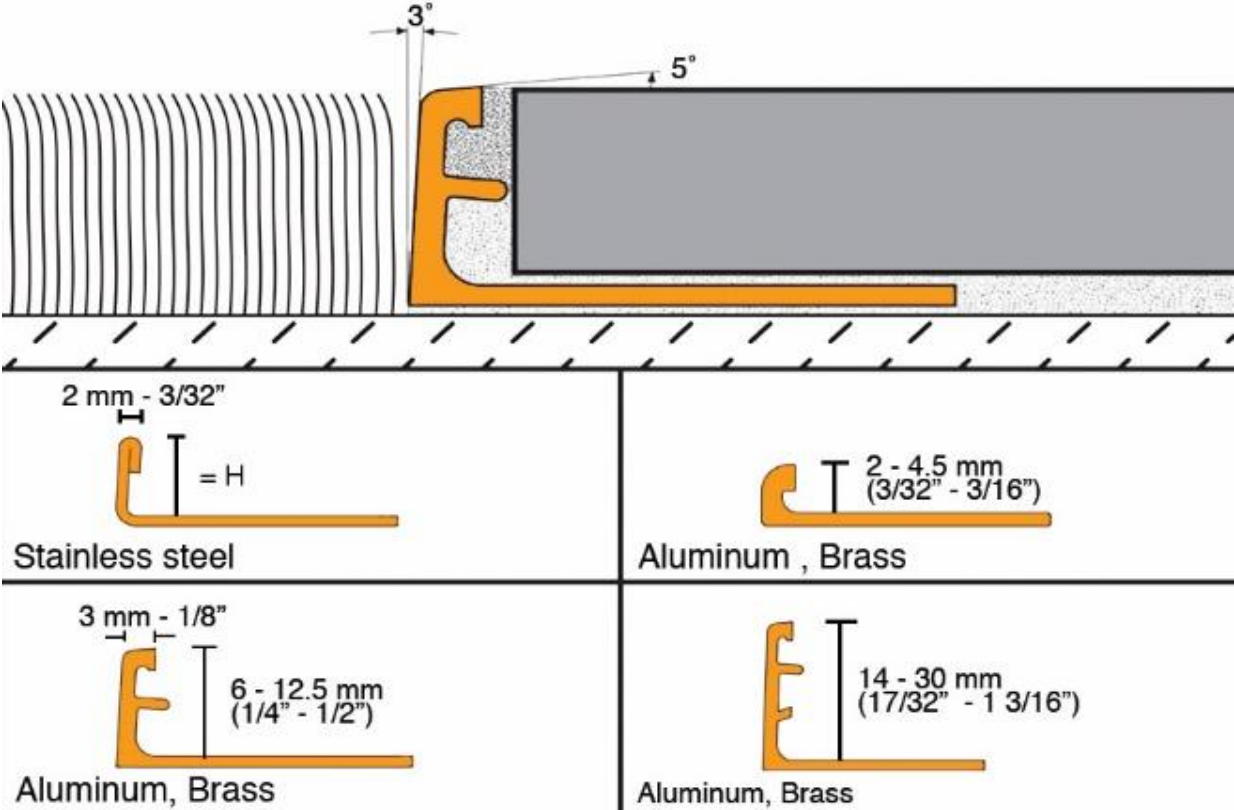


SCHIENE



Recommended for strip designs and borders in Liquid Elements Crush.

Note: Where a flush transition is desired, please contact a local Liquid Elements representative for recommendations.